



## SPECIFICATIONS

Product Name	Inmarsat-C Mobile Earth Station <b>FELCOM18</b>	Inmarsat MINI-C Mobile Earth Station <b>FELCOM19</b>
Frequency	TX:	1626.5-1646.5 MHz
	RX:	1537.0-1544.2 MHz
Channel Spacing	5 kHz	
Modulation Rate and format	TX:	600, 1200 sps Unfiltered BPSK
	RX:	1200 sps Unfiltered BPSK
Minimum G/T	-23.0 dB/K (at elv. 5°)	-23.7 dB/K (at elv. 5°)
Output Power	12-16 dBW (at elv. 5°)	7-16 dBW (at elv. 5°)
Power Supply	12-24 VDC	
	TX:	less than 130 W
RX:	less than 60 W	
		less than 10 W

## ENVIRONMENT

Temperature	Antenna Unit	-35 to +55°C (Storage: +70°C)
	BDE	-15 to +55°C
Relative Humidity	40°C 95%	

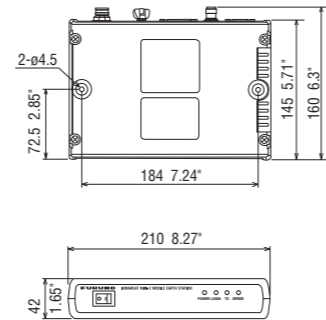
## EQUIPMENT LIST

<b>Standard</b>	1 Antenna Unit with 30 m cable IC-118	1 unit	1 Antenna Unit with 30 m cable IC-119	1 unit
	2 Terminal Unit with keyboard IC-218	1 unit	2 Communication Unit IC-219	1 unit
	3 Junction Box IC-318	1 unit	3 Junction Box IC-318*	1 unit
	4 SSAS Alert Unit IC-307*	2 unit	4 SSAS Alert Unit IC-307*	2 unit
	5 Installation materials		5 Installation materials	
	*applicable only for SSAS specification		*applicable only for SSAS specification	
<b>Option</b>	1 Distress Alert/Received Call Unit IC-305		1 AC/DC Power Supply Unit PR-240	
	2 Alarm Unit IC-306		2 SSAS Alert Unit IC-307**	
	3 AC/DC Power Supply Unit PR-240		3 Junction Box IC-318**	
	4 GPS Board Kit		4 Printer PP-510	
	5 SSAS Alert Unit IC-307**		**applicable only for non-SSAS specification	
	6 Printer PP-510			
	**applicable only for non-SSAS specification			

## Communication Unit

IC-219

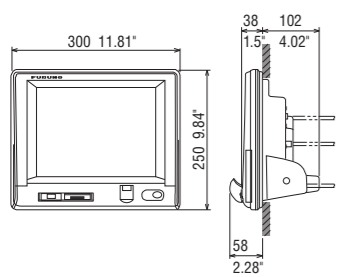
1.2 kg 2.65 lb



## Terminal Unit

IC-218

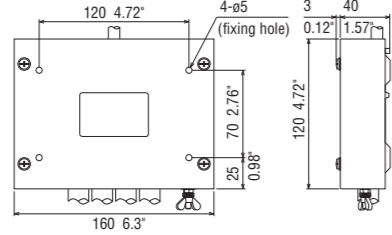
4.2 kg 9.26 lb



## Junction Box

IC-318

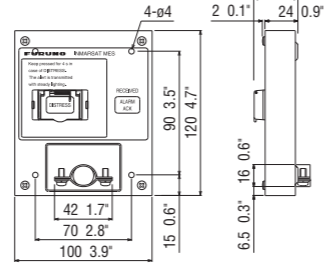
weight: TBC



## Distress Alert/Received Call Unit

IC-305

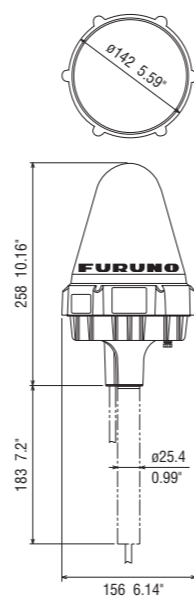
0.35 kg 0.77 lb



## Antenna Unit

IC-118/IC-119

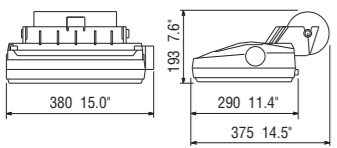
1.4 kg 3.09 lb



## Printer

PP-510

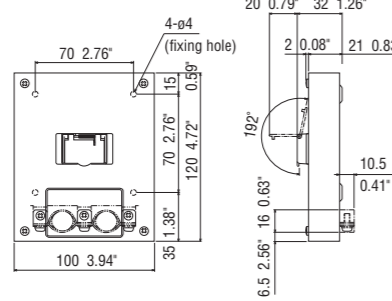
3.3 kg 7.3 lb



## SSAS Alert Unit

IC-307

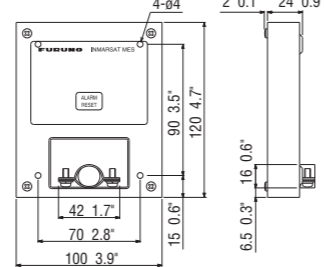
0.35 kg 0.77 lb



## Alarm Unit

IC-306

0.33 kg 0.7 lb



# MES

## INMARSAT-C Mobile Earth Station / INMARSAT MINI-C Mobile Earth Station



All brand and product names are registered trademarks, trademarks or service marks of their respective holders. SPECIFICATIONS SUBJECT TO CHANGE WITHOUT NOTICE

- |   |  |  |   |  |
|---|--|--|---|--|
| <b>FURUNO ELECTRIC CO., LTD.</b><br>Nishinomiya, Hyogo, Japan<br>www.furuno.com | <b>FURUNO ESPAÑA S.A.</b><br>Madrid, Spain<br>www.furuno.es          | <b>FURUNO FINLAND OY</b><br>Espoo, Finland<br>www.furuno.fi                        | <b>FURUNO DEUTSCHLAND GmbH</b><br>Rellingen, Germany<br>www.furuno.de | 12023SK Printed in Japan<br>Catalogue No. W-3265 |
| <b>FURUNO U.S.A., INC.</b><br>Camas, Washington, U.S.A.<br>www.furunousa.com    | <b>FURUNO DANMARK AS</b><br>Hvidovre, Denmark<br>www.furuno.dk       | <b>FURUNO POLSKA Sp. Z o.o.</b><br>Gdynia, Poland<br>www.furuno.pl                 | <b>FURUNO HELLAS S.A.</b><br>Piraeus, Greece<br>www.furuno.gr         |  |
| <b>FURUNO (UK) LIMITED</b><br>Havant, Hampshire, U.K.<br>www.furuno.co.uk       | <b>FURUNO NORGE A/S</b><br>Ålesund, Norway<br>www.furuno.no          | <b>FURUNO EURUS LLC</b><br>St. Petersburg, Russian Federation<br>www.furuno.com.ru | <b>RICO (PTE) LTD</b><br>Singapore<br>www.rico.com.sg                 |  |
| <b>FURUNO FRANCE S.A.S.</b><br>Bordeaux-Mérignac, France<br>www.furuno.fr       | <b>FURUNO SVERIGE AB</b><br>Västra Frölunda, Sweden<br>www.furuno.se |  |   |  |

Models: FELCOM18  
FELCOM19

## Proven solutions for Inmarsat-C/Inmarsat MINI-C services fully incorporated SSAS and LRIT capabilities



Compatible with:



Model: FELCOM18



Compatible with:

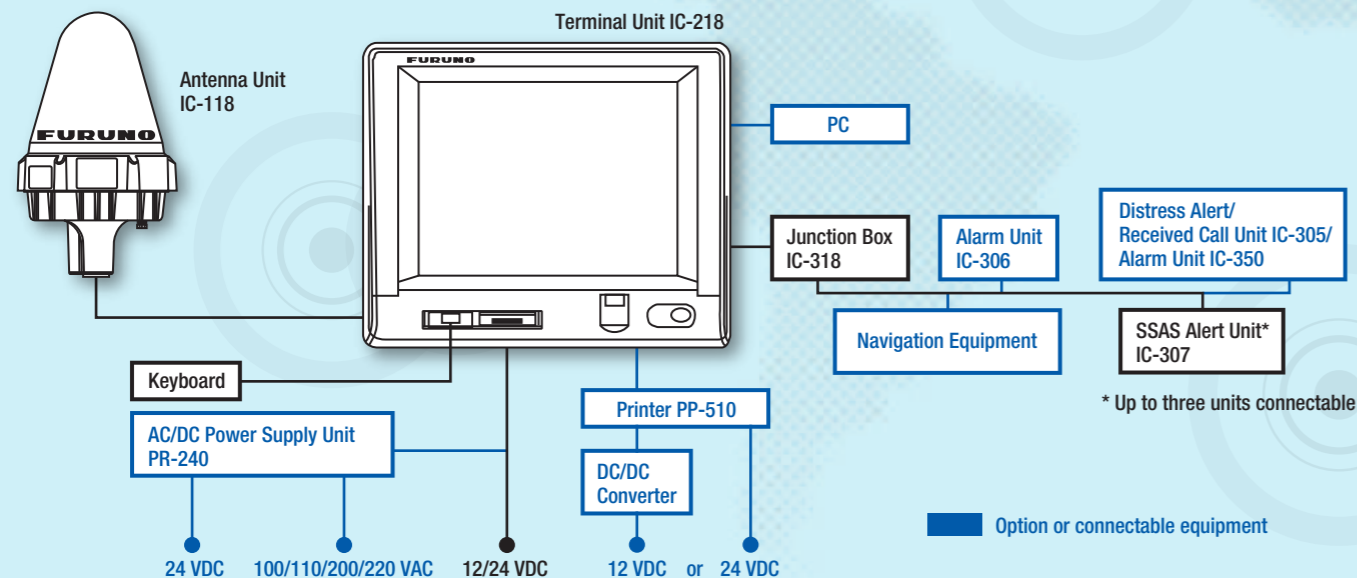


### Features of FELCOM19

- ▶ Inmarsat MINI-C Mobile Earth Station terminal
- ▶ Compatibility with LRIT application
- ▶ SSAS capability with SSAS Alert Units
- ▶ A wide variety of communication schemes available: telex, FAX, emailing, EGC (non-GMDSS), Data reporting/polling, etc.
- ▶ GPS receiver incorporated
- ▶ Black-box configuration allows flexible installation

Model: FELCOM19

### Interconnection Diagram



### Interconnection Diagram

