

DESK Type (150/250W) MF/HF DSC, NBDP RADIO EQUIPMENT

SRG-2150/2250DN

Compliant with ITU M.541-8 M.541-9
M.493-10 M.493-11, IMO and GMDSS requirement

Adoption of new conceptual SYNTHESIZER
technology improves voice quality, no-noise!!

Dual display with NBDP terminal and
SRG-2150/2250DN

NBDP COMPONENTS



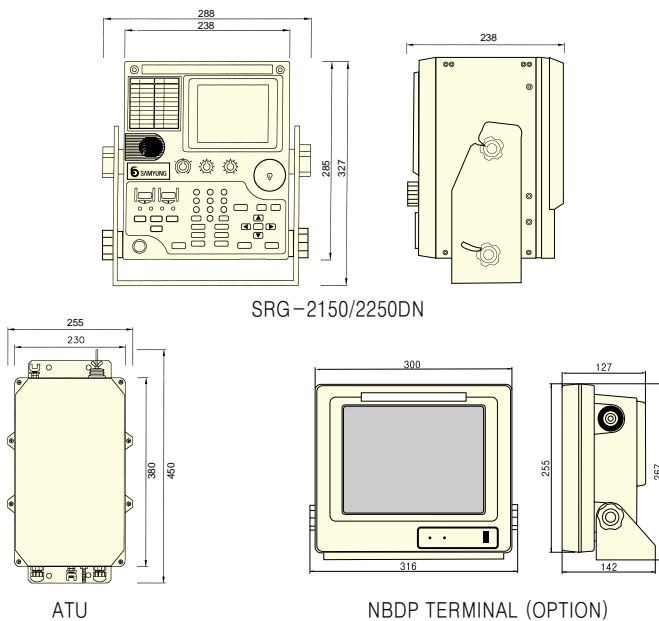
FEATURES

- ▶ Compliant with ITU M.541-8 M.541-9 M.493-10 M.493-11, IMO and GMDSS requirement
- ▶ Compact designed transmitter-receiver with a built-in DSC
- ▶ Easy to read data in large LCD(10.4) for NBDP terminal
- ▶ Easy to read Rx & Tx frequency at a time
- ▶ Available scanning search of transmitter output, frequency & channel
- ▶ High stability for frequency with 10Hz Step Synthesizer
- ▶ Built-in alarm signal(2182KHz)
- ▶ Storing up to 100 transmitted message(editable)
- ▶ Storing up to 100 received message (every 50 messages for distress and ordinary)
- ▶ Self-diagnosis function for easy maintenance



150/250W MF/HF RADIO EQUIPMENT
SRG-2150/2250DN

DIMENSIONS



SPECIFICATIONS

GENERAL

- Frequency range : TX : 1.6~27.5MHz (10Hz STEP)
RX : 500KHz~29.9999MHz (10Hz STEP)
- TX/RX channel : ITU channel, 300 memory channel
- Frequency tolerance : Within 10Hz
- Type of emission : J3E, H3E, F1B
- Operation : Simplex & Semi-duplex
- Ambient temperature & Humidity : -15°C~+55°C, 95%
- Power supply : DC24V ± 15%(2.5A at Reception, 15A at Transmittion / SRG-2150DN)
(2.5A at Reception, 25A at Transmittion / SRG-2250DN)

TRANSMITTER

- Type of emission and output : J3E(150W), F1B(100W), H3E(75W):SRG-2150DN
J3E(250W), F1B(150W), H3E(75W):SRG-2250DN
- Modulation : Low level balanced
- Occupied bandwidth : Within J3E(3KHz), F1B(0.5KHz)
- Two-tone distress signal : 1300, 2100Hz

RECEIVER

- Sensitivity : J3E 3uV, F1B 3uV, H3E 6uV, S/N 20dB 100m/w
- Intermediate frequency : 49.455MHz, 455KHz
- Overall distortion and noise : More than 20dB
- Input impedance : 50Ω

DSC WATCH KEEPING RECEIVER

- Frequency : 2187.5, 4207.5, 6312, 8414.5, 12577, 16804.5KHz
- Type of emission : F1B
- Frequency shift keying : 1700 ± 85Hz (Mark: 1615Hz, Space :1785Hz)
- Data transfer speed : 100 baud
- Frequency tolerance : 10Hz

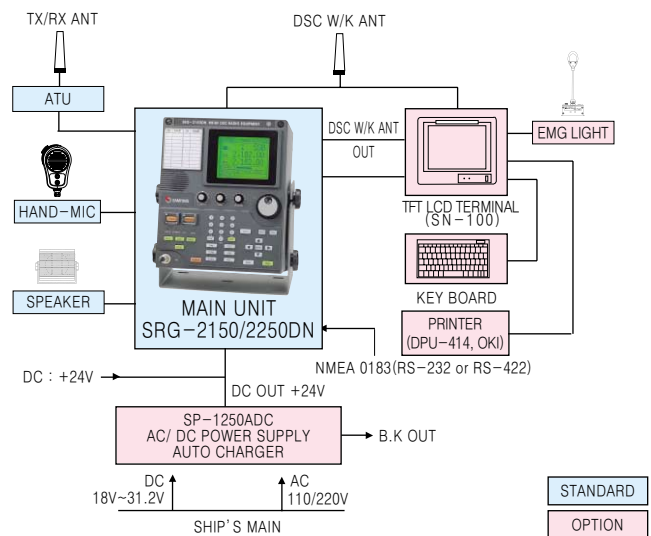
NBDP

- Protocol : 625, 476-4, 490, 491, 492-3 & F130 by CCIR
- Communication mode : ARQ, CFEC, SFEC
- Memory : 16M
- Middle range of frequency : 1700 Hz
- Modulation speed : 100 BAUD(ARQ, FEC MODE)
- Type of modulation : AFSK
- Frequency tolerance : Within 0.5Hz

NBDP COMPONENTS(OPTION)

- NBDP TERMINAL (SN-100)
- PRINTER (DPU-414, OKI)
- KEY BOARD (SPR-8630)

CONFIGURATION



* Specification is subject to change without pre-notice

SAMYUNG ENC Co.,Ltd.

Head Office : 1123-17, Dongsam-Dong, Youngdo-Gu, Busan, Korea, 606-083
Tel : 82-51-601-5532(Rep.) Fax : 82-51-413-4446
A/S Center : 65-20, 2-Ga Namhang-Dong, Yungdo-Gu, Busan, Korea, 606-032
Tel : 82-51-601-5570~4(Rep.) Fax : 82-51-416-5515
Http : //www.samyungenc.com



ISO 9001:2000 / KS A 9001:2001
Certificate No. : RQM0645

